



## Characteristics



- Self-supporting casing construction made of galvanised plated steel, painted epoxy-polyester structural white colour RAL 9016 as standard. Other colours are available on request.
- Low noise twisted cross-flow fans driven by a 2-speed external rotor motor.
- Micro-perforated inlet grille with filter functions and easy service. It does not need prefilter.
- "P" type includes water heated coil. "E" type includes electrical shielded element, 2 power stages with power switches included. "A" type is without heating, air only.
- Linear blow-out jet with airfoil profiled anodised aluminium vanes.
- Control panel and infrared remote control IR included. 7m of telephone cable with fast connectors type RJ45 (Plug & Play). Optional: Interface to connect to BMS.

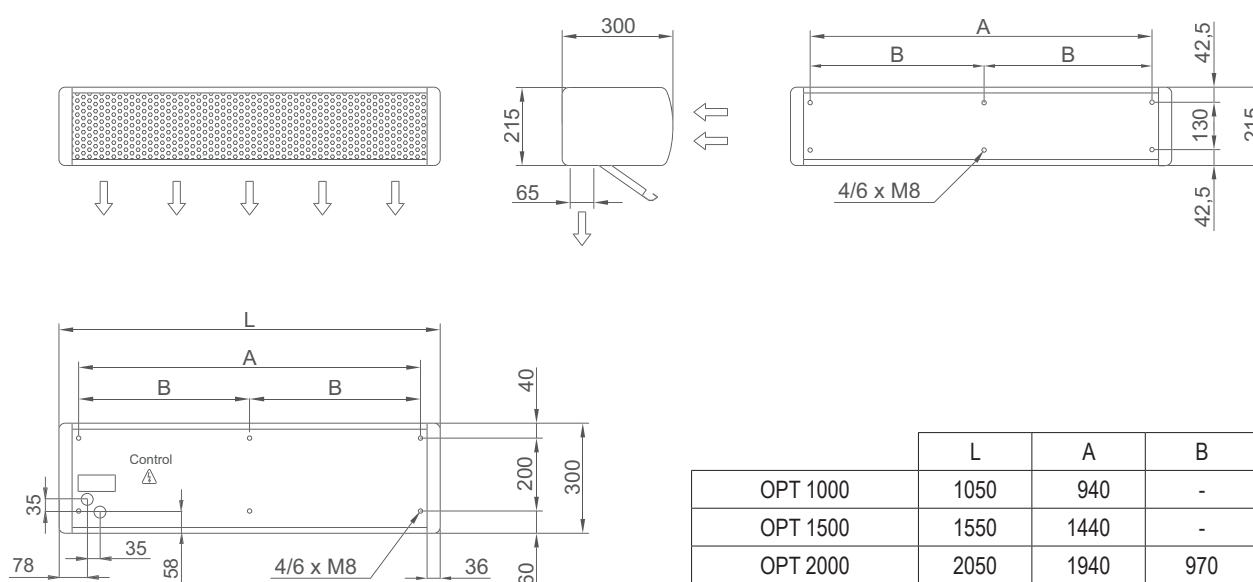
## Specifications

Model	Airflow m <sup>3</sup> /h	Heating capacity 80/60°C kW	Water Drop Pressure Pa	Electrical Heating Capacity (*) kW	Electrical Heating Voltage V	Electrical Heating Current A	Power Fans 230V-50Hz W	Current Fans 230V-50Hz A	Noise Level (5 m) dB(A)	Weight kg
OPT 1000 A	850/1350	-	-	-	-	-	40/87	0,23/0,42	41/50	17,5
OPT 1000 P	725/1150	8	5050	-	-	-	40/87	0,23/0,42	41/50	20,5
OPT 1000 E	850/1350	-	-	46	400Vx3	5,8/8,7	40/87	0,23/0,42	41/50	20,5
OPT 1000 E9	850/1350	-	-	69	400Vx3	8,7/13	40/87	0,23/0,42	41/50	21,5
OPT 1000 E230	850/1350	-	-	3,8/5,6	230Vx1	16,5/24,5	40/87	0,23/0,42	41/50	20,5
OPT 1500 A	1250/2050	-	-	-	-	-	64/117	0,37/0,63	43/52	25,5
OPT 1500 P	1100/1750	12,6	5360	-	-	-	64/117	0,37/0,63	43/52	27,5
OPT 1500 E	1250/2050	-	-	69	400Vx3	8,7/13	64/117	0,37/0,63	43/52	27,5
OPT 1500 E230-6	1250/2050	-	-	3,8/5,6	230Vx1	16,5/24,5	64/117	0,37/0,63	43/52	27,5
OPT 1500 E230-9	1250/2050	-	-	69	230Vx1	26/39,1	64/117	0,37/0,63	43/52	27,5
OPT 2000 A	1700/2700	-	-	-	-	-	80/174	0,46/0,84	46/55	33
OPT 2000 P	1450/2300	16,7	5230	-	-	-	80/174	0,46/0,84	46/55	37,5
OPT 2000 E	1700/2700	-	-	5,6/11,3	400Vx3	8,1/16,3	80/174	0,46/0,84	46/55	42
OPT 2000 E230	1700/2700	-	-	5,6/11,3	230Vx1	24,5/49,1	80/174	0,46/0,84	46/55	42

Water heated pipes connection 1/2"

(\*) Under request other electrical heating capacities may be supplied

## Dimensions





## Characteristics



- Self-supporting casing construction made of galvanised plated steel, ready to be installed recessed in a false ceiling.
- The inlet grille and the blow-out jet are integrated in a single aluminium frame, painted epoxy-polyester white colour RAL 9016.
- Low noise twisted cross-flow fans driven by a 2-speed external rotor motor.
- “P” type includes water heated coil. “E” type includes electrical shielded element, 2 power stages with power switches included. “A” type is without heating, air only.
- Control panel and infrared remote controller IR included. 7m of telephone cable with fast connectors type RJ45 (Plug & Play). Optional: Interface to connect to BMS.

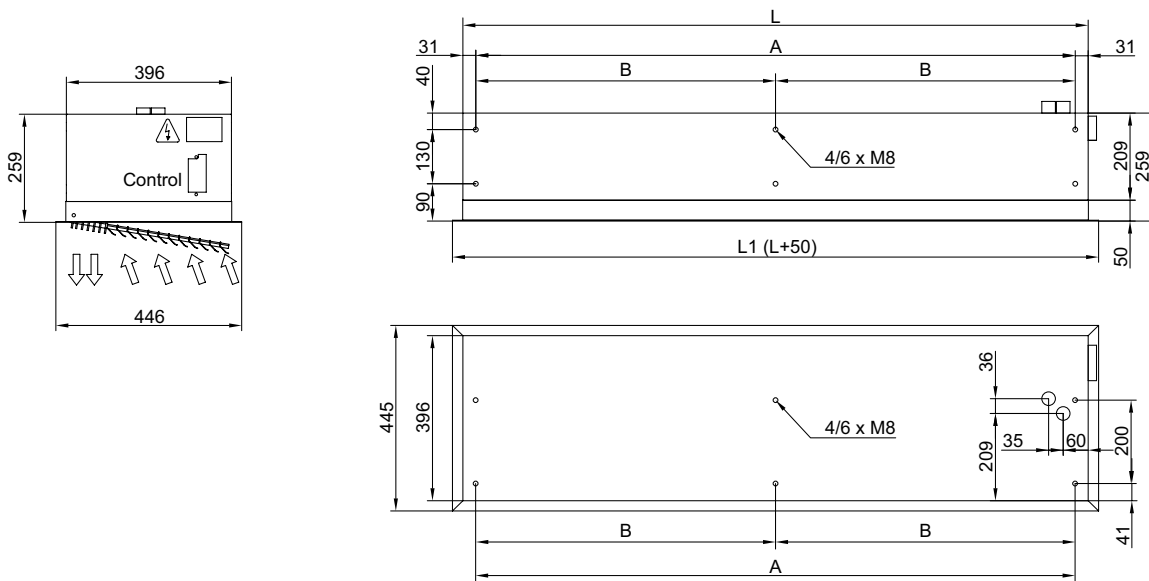
## Specifications

Model	Airflow m <sup>3</sup> /h	Heating capacity 80/60°C kW	Water Drop Pressure Pa	Heating Heating Capacity (*) kW	Electrical Heating Voltage V	Electrical Heating Current A	Power Fans 230V-50Hz W	Current Fans 230V-50Hz A	Noise Level (5 m) dB(A)	Weight kg
RO 1000 A	850/1350	-	-	-	-	-	40/87	0,23/0,42	41/50	24
RO 1000 P	725/1150	8	5050	-	-	-	40/87	0,23/0,42	41/50	26,5
RO 1000 E	850/1350	-	-	4/6	400Vx3	5,8/8,7	40/87	0,23/0,42	41/50	26
RO 1000 E230	850/1350	-	-	3,8/5,6	230Vx1	16,5/24,5	40/87	0,23/0,42	41/50	26
RO 1500 A	1250/2050	-	-	-	-	-	64/117	0,37/0,63	43/52	34
RO 1500 P	1100/1750	12,6	5360	-	-	-	64/117	0,37/0,63	43/52	37,5
RO 1500 E	1250/2050	-	-	6/9	400Vx3	8,7/13	64/117	0,37/0,63	43/52	37,5
RO 1500 E230-6	1250/2050	-	-	3,8/5,6	230Vx1	16,5/24,5	64/117	0,37/0,63	43/52	37,5
RO 1500 E230-9	1250/2050	-	-	6/9	230Vx1	26/39,1	64/117	0,37/0,63	43/52	37,5
RO 2000 A	1700/2700	-	-	-	-	-	80/174	0,46/0,84	46/55	44,5
RO 2000 P	1450/2300	16,7	5230	-	-	-	80/174	0,46/0,84	46/55	49
RO 2000 E	1700/2700	-	-	5,6/11,3	400Vx3	8,1/16,3	80/174	0,46/0,84	46/55	53,5
RO 2000 E230	1700/2700	-	-	5,6/11,3	230Vx1	24,5/49,1	80/174	0,46/0,84	46/55	53,5

Water heated pipes connection 1/2"

(\*) Under request other electrical heating capacities may be supplied

## Dimensions



	L	L1	A	B
RO 1000	1000	1050	938	-
RO 1500	1500	1550	1438	-
RO 2000	2000	2050	1938	969