



Characteristics



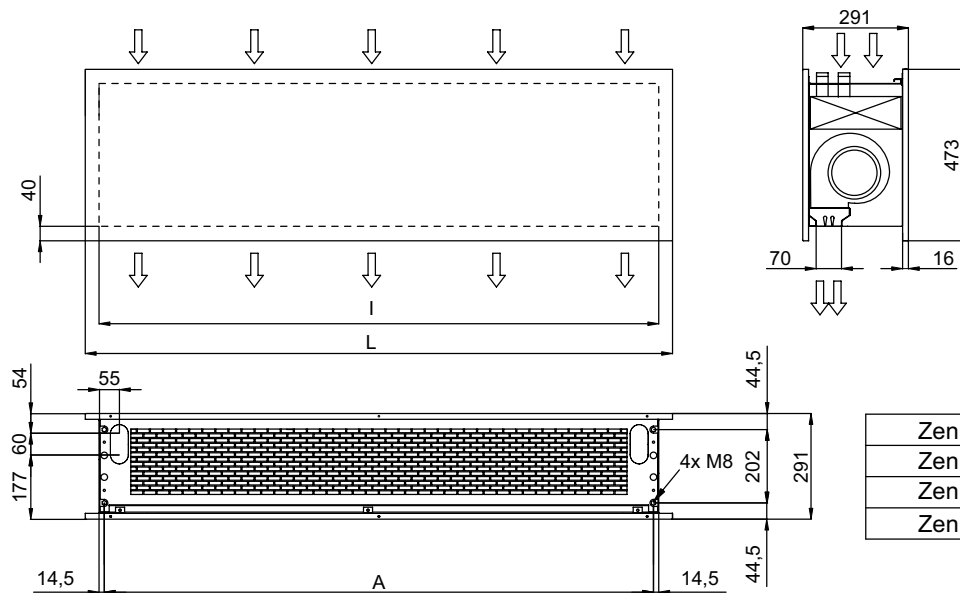
- Decorative air curtain in contemporary architectural style. Its minimalist and smart design integrates in any environment and we offer the option to customise, meeting our clients need.
- Can include personalised logos, signs, graphic designs, etc...even can incorporate clocks, lighting, etc.
- Front panels are anodised aluminium. Options for stainless steel and gloss, matt or brushed paint finishes. Other materials are possible as wood, metal stressed finish etc...
- Central structure made of zinc plated steel finished in black forge as standard. Other colours available on request.
- Centrifugal double-inlet fans with external rotor motors, with built-in thermal protection contact, provided with 5-speed selection. Very low noise level.
- "P" type includes water heated coil (2x3/4"). "E" type includes electrical element with 3 power stages. "A" type is unheated, air only.
- Anodised aluminium outlet vanes, airfoil shaped, adjustable each side.
- Control panel and infrared remote control IR included. 7m of telephone cable with fast connectors type RJ45 (Plug & Play). Optional: Interface to connect to BMS.

Specifications

Model	Airflow m3/h	Heating Capacity 80/60°C kW	Water Drop Pressure 80/60°C Pa	Heating Capacity 60/40°C kW	Water Drop Pressure 60/40°C Pa	Heating Capacity 50/40°C kW	Water Drop Pressure 50/40°C Pa	Electrical Heating Capacity 3x400V-50Hz kW	Fans Power 230V-50Hz kW	Fans Current 230V-50Hz A	Noise Level (5 m) dB(A)	Weight kg
ZEN M 1000 P	1875	10,52	890	9,04	4450	8,87	1310	-	0,591	2,58	54	37
ZEN M 1000 E	1950	-	-	-	-	-	-	3/6/9	0,591	2,58	54	40
ZEN M 1000 A	1950	-	-	-	-	-	-	-	0,591	2,58	54	32
ZEN M 1500 P	2500	16,14	700	13,28	6390	13,54	4300	-	0,788	3,44	55	53
ZEN M 1500 E	2600	-	-	-	-	-	-	4/8/12	0,788	3,44	55	58
ZEN M 1500 A	2600	-	-	-	-	-	-	-	0,788	3,44	55	46
ZEN M 2000 P	3750	24,22	2020	19,11	5140	19,38	2330	-	1,182	5,16	56	71
ZEN M 2000 E	3900	-	-	-	-	-	-	6/12/18	1,182	5,16	56	77
ZEN M 2000 A	3900	-	-	-	-	-	-	-	1,182	5,16	56	62
ZEN M 2500 P	4375	28,66	3750	22,80	3930	23,85	4210	-	1,379	6,02	57	86
ZEN M 2500 E	4550	-	-	-	-	-	-	6/12/18	1,379	6,02	57	94
ZEN M 2500 A	4550	-	-	-	-	-	-	-	1,379	6,02	57	75
ZEN G 1000 P	2700	13,10	1300	11,31	6850	11,29	2020	-	0,765	3,33	55	40
ZEN G 1000 E	2775	-	-	-	-	-	-	5/10/15	0,765	3,33	55	43
ZEN G 1000 A	2775	-	-	-	-	-	-	-	0,765	3,33	55	36
ZEN G 1500 P	3600	20,30	1050	16,72	9410	17,39	6770	-	1,020	4,44	56	57
ZEN G 1500 E	3700	-	-	-	-	-	-	7,5/15/22,5	1,020	4,44	56	62
ZEN G 1500 A	3700	-	-	-	-	-	-	-	1,020	4,44	56	50
ZEN G 2000 P	5400	30,40	3320	24,18	7860	24,71	3540	-	1,530	6,66	57	78
ZEN G 2000 E	5550	-	-	-	-	-	-	10/20/30	1,530	6,66	57	85
ZEN G 2000 A	5550	-	-	-	-	-	-	-	1,530	6,66	57	69
ZEN G 2500 P	6300	36,03	5700	28,94	6020	30,58	6520	-	1,785	7,77	58	95
ZEN G 2500 E	6475	-	-	-	-	-	-	10/20/30	1,785	7,77	58	103
ZEN G 2500 A	6475	-	-	-	-	-	-	-	1,785	7,77	58	83



Dimensions



	L	I	A
Zen 1000	1220	1140	1115
Zen 1500	1620	1544	1515
Zen 2000	2120	2044	2015
Zen 2500	2620	2544	2515

Finishes



- Painted any RAL colour or metal
- Different materials: aluminium, stainless steel AISI 304 (brushed or polished), wood, glass, PVC/PES, etc.
- Logos, lights, clocks, signs, vinyls, patterns, etc.



Examples of customised front panels, to meet customers needs

