

Central gas detection unit

CTR21G

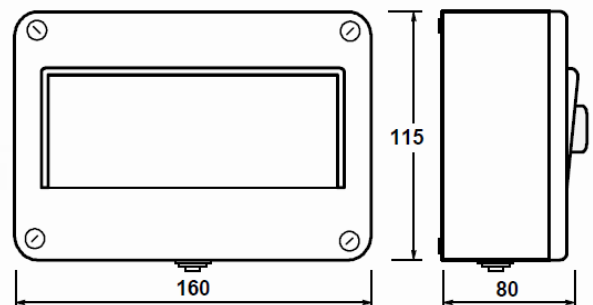
Wall mounted central unit with 1 sensor included; for use with Methane and LPG.

- LED display
- 3 relays for alarm and fault
- TEST function
- RESET function
- 1 auxiliary input for electrovalves with magnetic sensor
- 3 positive safety relays with alarm memory



CTR21

- Power supply: 230Vac
- Rating: IP44
- First relay intervention at 10% LEL, second relay intervention at 20% LEL
- Contact rating: 230Vac 3A SPDT



Dimensions

Setpoint Solutions

20a Glover Street
Wellington
Phone: 04 471 2700
Fax: 04 471 2701

Unit 8, 19 Nga Mahi Road
Sockburn
Christchurch
Phone: 03 377 5230
Fax: 03 377 5240

29 Leith Street
Dunedin
Phone: 03 477 1300
Fax: 03 477 1800